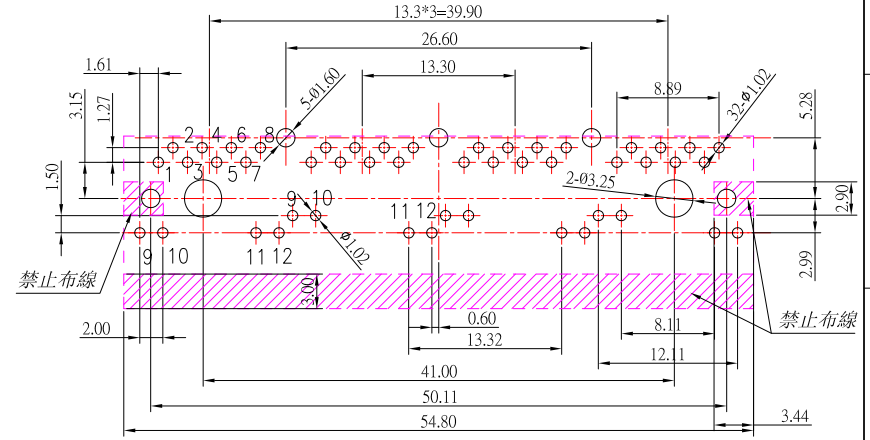
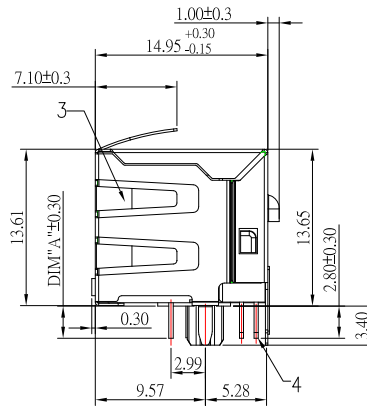
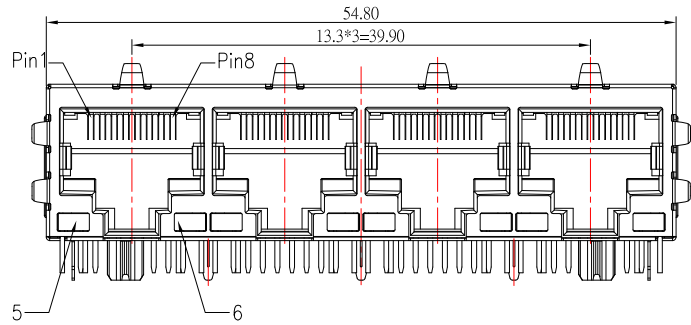


LED PIN DEFINE



PCB LAYOUT MOUNTING PATTERN
(TOP VIEW)



RJ45-42171YGY-x-S118

鍍層厚度:

Blank	: 1u"
2	: 15u"
3	: 30u"

Materials :

- 1.Housing: PA46,Black
- 2.Contact: Phosphor Bronze
- 3.Shell: Brass
- 4.Insert: Glass Filled

CONTACT 建倚科技股份有限公司
CONTACT TECHNOLOGY CORP.

TOLERANCE UNLESS OTHERWISE STATED:
Up to 5 ±0.2
Above 5 ~ 15 ±0.3
Above 15 ~ 30 ±0.4
Above 30 ~ 50 ±0.5
Angle ±0.3

3RD. ANGEL'S



UNITS MM

DRAWN BY:	DATE	MAT'L	TITLE	RJ45
Jack Lu	03/30/18	FINISH	MODLE	RJ45 1x4 port with shield(帶彈片) Tab down with LED(L:Yellow; R:Green/Yellow), LED在下方, without transformer
CHECKED BY:	DATE	SCALE	DWG NO.	RJ45-42171YGY-x-S118
Jacky Chen	03/30/18	1 : 1	PART NO.	RJ45-42171YGY-x-S118
APPROVED BY:	DATE	SHEET NO.		
Tony Kao	03/30/18	1 of 1		
				SIZE A4
				VER R

ITEM NO.	DESCRIPTION	DRAWN	DATE